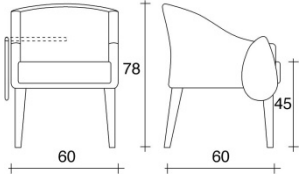
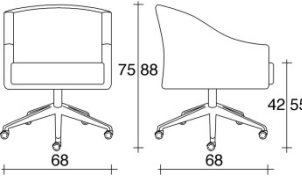
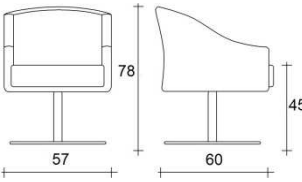
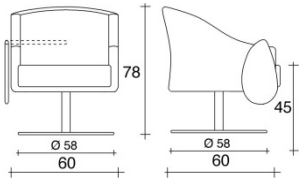
 <p>371</p>	 <p>371/TDX</p>
 <p>372</p>	
 <p>373</p>	 <p>373/TDX</p>