

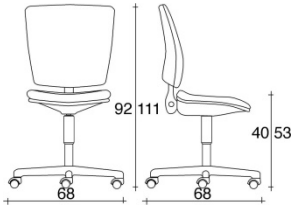
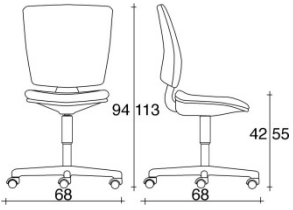
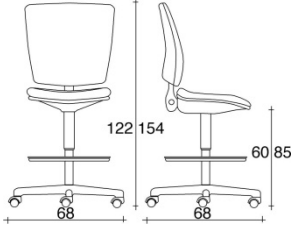
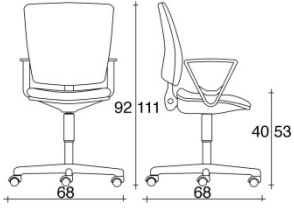
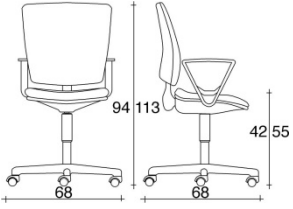
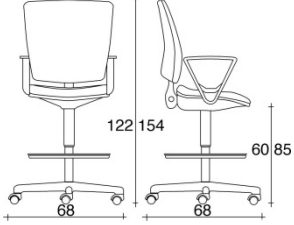
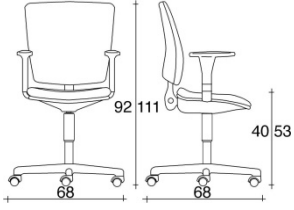
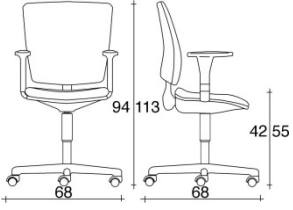
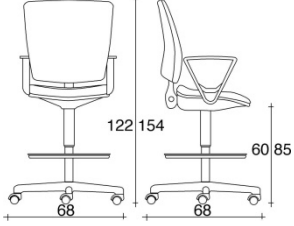
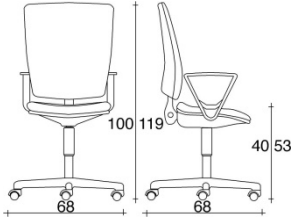
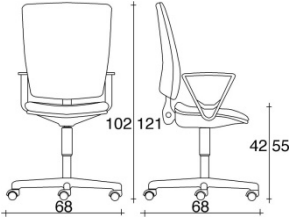
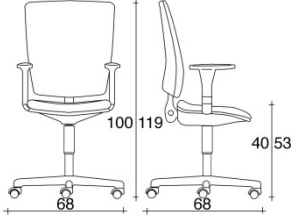
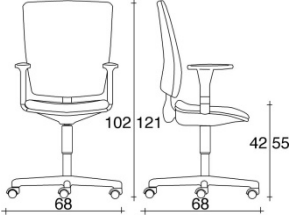
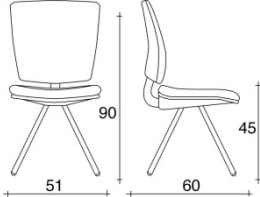
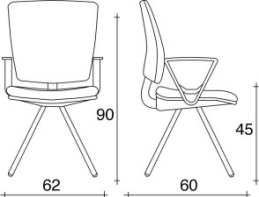
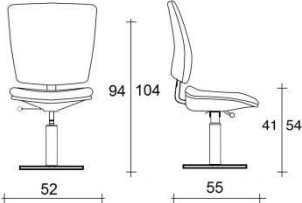


	SIMPLE-LINE MECH. 	SYNCRO-MAX MECH. 
<p>Low back / dossier basse</p> <p>without arms / sans accoudoirs</p>	 <p>011</p>	 <p>011/M</p>
	 <p>016/H</p>	
<p>Low back / dossier basse</p> <p>contour arms / Accoudoirs "contour"</p>	 <p>012</p>	 <p>012/M</p>
	 <p>017/H</p>	
<p>Low back / dossier basse</p> <p>Adjustable "T" arms / Accoudoirs "T" réglables</p>	 <p>012/4</p>	 <p>012/4M</p>
	 <p>017/4H</p>	

<p>High back / dossier haut</p> <p>contour arms / Accoudoirs "contour"</p>	 <p>015</p>	 <p>015/M</p>
<p>High back / dossier haut</p> <p>Adjustable "T" arms / Accoudoirs "T" reglables</p>	 <p>015/4</p>	 <p>015/4M</p>

	 <p>018</p>	 <p>019</p>
	 <p>011/F</p>	