

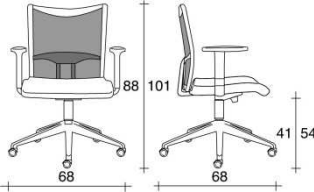
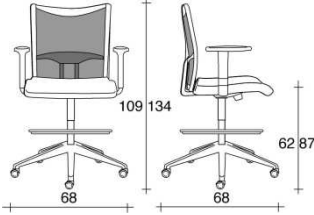
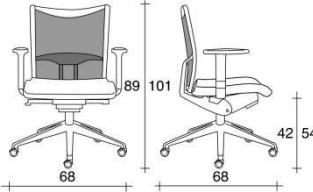


	GAS-LIFT	COMPACT MECHANISM <small>EN 1335</small>	SYNCRO-DINAMIC MECH. <small>EN 1335</small>
<p><b>Low back / dossier aisse</b></p> <p><b>no arms / sans accoudoirs</b></p>	<p><b>3650</b></p>	<p><b>3700</b></p> <p><b>3730</b></p>	<p><b>3600</b></p>
<p><b>Low back / dossier baisse</b></p> <p><b>contour arms / accoudoirs contour</b></p>	<p><b>3654</b></p>	<p><b>3704</b></p> <p><b>3734</b></p>	<p><b>3604</b></p>
<p><b>Low back / dossier baisse</b></p> <p><b>"T" fixed arms / Accoudoirs "T" fixes</b></p>	<p><b>3652</b></p>	<p><b>3702</b></p> <p><b>3732</b></p>	<p><b>3602</b></p>

	GAS-LIFT	COMPACT MECHANISM 	SYNCRO-DINAMIC MECH. 
<p><b>Low back / dossier basse</b></p> <p><b>"T" adjustable arms / Accoudoirs "T" reglables</b></p>		 <p style="text-align: center;"><b>3706</b></p>  <p style="text-align: center;"><b>3736</b></p>	 <p style="text-align: center;"><b>3606</b></p>

	GAS-LIFT	COMPACT MECHANISM <small>EN 1335</small>	SYNCRO-DINAMIC MECH. <small>EN 1335</small>
<p><b>Medium back / Dossier moyen</b></p> <p><b>no arms / sans accoudoirs</b></p>	<p style="text-align: center;"><b>3660</b></p>	<p style="text-align: center;"><b>3710</b></p>	<p style="text-align: center;"><b>3610</b></p>
<p><b>Medium back / Dossier moyen</b></p> <p><b>contour arms / accoudoirs contour</b></p>	<p style="text-align: center;"><b>3664</b></p>	<p style="text-align: center;"><b>3714</b></p>	<p style="text-align: center;"><b>3614</b></p>
<p><b>Medium back / Dossier moyen</b></p> <p><b>"T" fixed arms / Accoudoirs "T" fixes</b></p>	<p style="text-align: center;"><b>3662</b></p>	<p style="text-align: center;"><b>3712</b></p>	<p style="text-align: center;"><b>3612</b></p>
<p><b>Medium back / Dossier moyen</b></p> <p><b>"T" adjustable arms / Accoudoirs "T" réglables</b></p>	<p style="text-align: center;"><b>3716</b></p>	<p style="text-align: center;"><b>3616</b></p>	

	<b>COMPACT MECHANISM</b>	<b>SYNCRO-DINAMIC MECH.</b>
<b>High back / Dossier haut</b>  <b>contour arms / accoudoirs contour</b>	<p style="text-align: center;"><b>3724</b></p>	<p style="text-align: center;"><b>3624</b></p>
<b>High back / Dossier haut</b>  <b>"T" fixed arms / Accoudoirs "T" fixes</b>	<p style="text-align: center;"><b>3722</b></p>	<p style="text-align: center;"><b>3622</b></p>
<b>High back / Dossier haut</b>  <b>"T" adjustable arms / Accoudoirs "T" réglables</b>	<p style="text-align: center;"><b>3726</b></p>	<p style="text-align: center;"><b>3626</b></p>