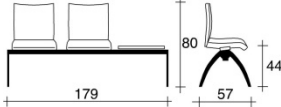
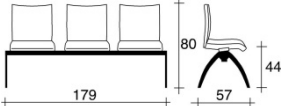
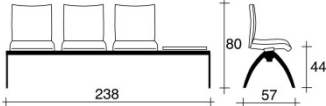
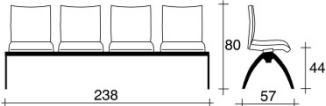
 <p>4400/B2</p>	 <p>4400/B2T</p>
 <p>4400/B3</p>	 <p>4400/B3T</p>
 <p>4400/B4</p>	